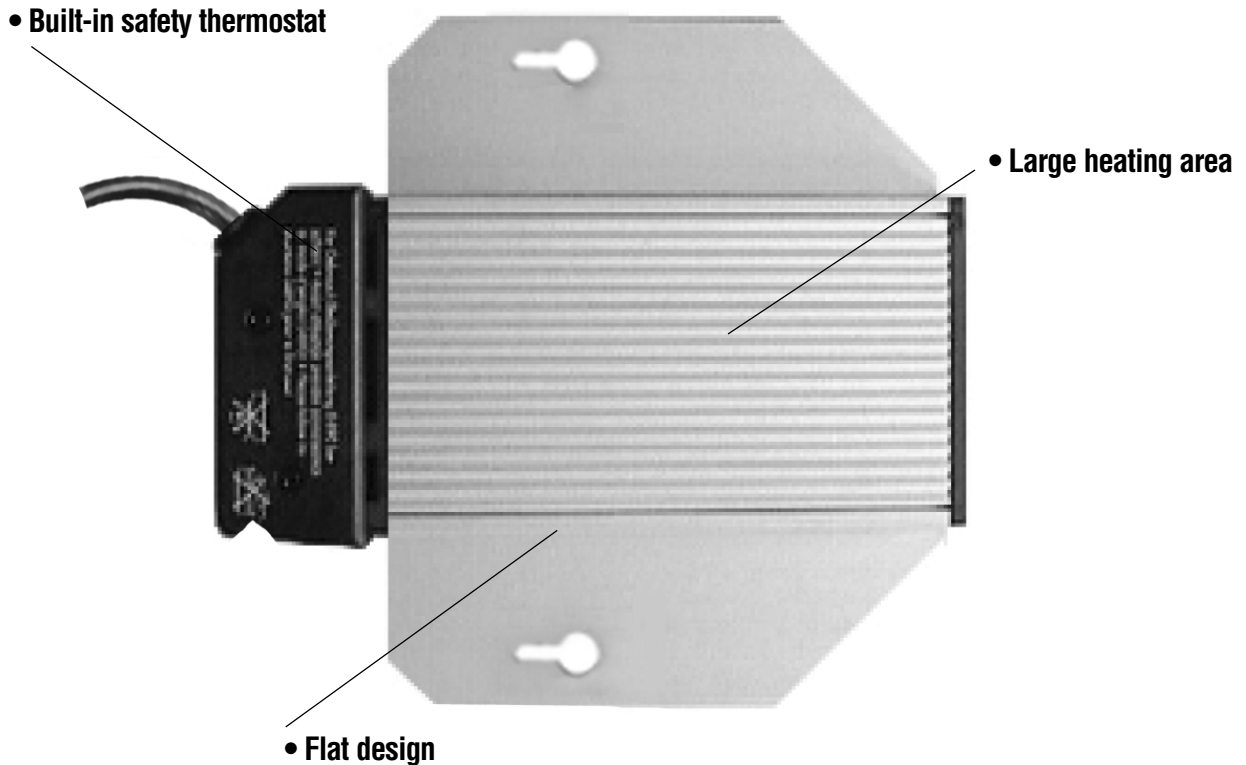


Electric Heating Element

Model #9520

The 9520 heating element is a self-regulating and temperature limiting element for heating applications where minimum operator control is required. This model is energy-saving and protected against overheating.



Technical Data

Part No.	9520	Power cord:	PVC cable, 8 ft with grounded plug
Operating voltage:	AC 100-120V	Protection class:	I (grounded)
Heating power:	240W	Protection type:	IP 54 (protected against water spray)
Operating current:	5A at 120VAC	Weight:	Approx. 2 lbs.
Surface temperature:	Approx. 210°C when not mounted	Approvals:	UL, VDE
Heating element:	Semiconductor heating element (PTC)	Applications:	Round chafing dishes
Overheat protection:	Built-in safety thermostat (temperature-limiting)		
Heater body:	Aluminum profile, bright anodized		
Wire compartment:	Plastic UL94V-0		

Accessories & Options

For use with all Spring 30 cm and 35 cm chafing dishes

*Note: Specifications are subject to change without notice, please refer to our website for the latest specifications.
One-year warranty.*

Spring^{USA}

Electric Heating Element Diagram

Model #9520

