

Built-In Induction Range

Model # SR-181A



Model # SRC-181

Technical Data

Part No: SR-181A	Operating voltage: 110-120v	Heating Power 1800W	HZ: 60	Amperage: 15.0	Dimensions: 12-5/8" x 13-3/8" x 4-3/8"
Weight: 8.5 lbs.	Power cord: 6', 3 prong	Approvals: FCC, ETL, ETL to NSF4, CETL			NEMA Plug:5-15

Accessories & Options

Wood Induction Cabinet Model					
Part No: SRC-181	Operating voltage: 110-120v	Heating Power 1800W	HZ: 60	Amperage: 15.0	Dimensions: 14-1/8" x 20-1/8" x 6"
Weight: 16 lbs	Power cord: 6', 3 prong	Approvals: FCC, ETL, ETL to NSF4, CETL			NEMA Plug:5-15
Double Induction Wood Cabinet Model					
Part No: SRC-2-181	Operating voltage: 110-120v	Heating Power 1800W	HZ: 60	Amperage: 15.0	Dimensions: 29-1/2" x 20-1/8" x 6"
Weight: 37 lbs	Power cord: 6', 3 prong	Approvals: FCC, ETL, ETL to NSF4, CETL			NEMA Plug:5-15 Each Range

*Note: Specifications are subject to change without notice, please refer to website for the latest specifications
One-year warranty on parts and labor.*

Spring USA

INDUCTION COOKTOP INSTALLATION

Attention:

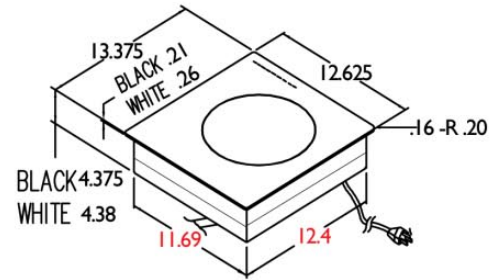
1. If the ceramic glass top plate edge or surface is cracked or broken- do not install the cooktop.
2. Silicone must be used to seal the cooktop onto the counter to prevent spilt liquids from leaking through.
3. Counter thickness cannot exceed 1 inch.
4. Space at the rear of the cooktop must be at least 4 inches.
5. Space at both sides of cooktop must be at least 7 3/4 inches.
6. Space beneath cooktop must be at least 7 inches.
7. SR-181A- This product's electrical specifications are 120v/60hz/1800w and each unit must independently use a 15 amp outlet. **Absolutely do not use other appliances on the same 15 amp circuit.**

Spring USA

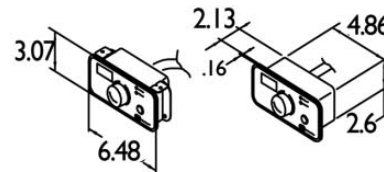
INSTALLATION:

1. Cut hole to specifications illustrated.
2. Install the control box unit before the cooktop hole on the counter. Apply silicon to all sides of the cooktop hole on the counter surface.
3. Gently place the cooktop into the hole and adjust its position such that all sides are evenly flat.
4. Use the provided screws to mount the control box to the counterside.
5. The control box has a 1.5 ft. cord; extension cords of 4.5 feet may be purchased separately. The control box must not be located further than 6 feet from the unit.

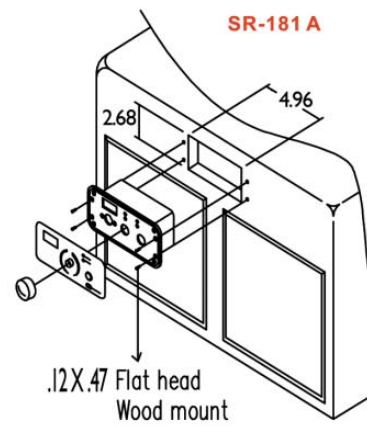
Cooktop Dimensions :



Control Box Dimensions :



Control Box Unit Installation :



Cooktop Installation:

