



Model SR-181C Shown

Mr. Induction™

Countertop, Portable Induction Range:

- Model:** **SR-181C** (110-Volt/US)
 SR-261C (208/220-Volt/US)
 SR-263C (220/240-Volt/Int.)

Order Guide:

✓	Model Number	Voltage	Peak Power	Plug Type
	SR-181C [US]	110-120	1800 Watts	NEMA 5-15
	SR-261C [US]	208-220	2600 Watts	NEMA 6-20
	SR-263C [Int.]	220-240	2600 Watts	EC or BS

Short Form Specification:

Unit to be a Spring USA **Mr. Induction™**: SR-____ [Specify: **181, 261 or 263**] C Model Countertop Portable Induction Range, with low-profile 2.8" high design, polished stainless steel case, 5 mm thick tempered glass cook top and integrated oversize pan support; plus SmartScan® controls with: voltage, pan size and type recognition, choice of power or temperature mode, Ferris pan recognition, large LED power/temp display; plus all the features listed.

Construction & Performance Features:

- Low profile design only 2.8" (71 mm) high
- Attractive, easy to clean polished stainless steel housing
- Rugged 5 mm thick, easy to clean tempered glass cook top
- 100% silicon rubber protective top seal
- Rear mounted oversize pan support
- 110-volt model has 1800 Watts of Power [Industry's highest]
- SmartScan® Process Controller (PC) adjusts for voltage, pan size & pan type
- Choice of cooking to: Power Level (1-20) or Temperature (90-440° F)
- Four non-skid rubber feet
- 6' (1.82m) power cord with plug standard

Solid State SmartScan® PC Controls with:

- Power-ON/OFF touch pad
- Power ON/Pan-Present indicator light
- Simple knob-set thermostat control
- Digital LED display of:
 - Power level: from 1 to 20 [Cook Mode]
 - Temperature: 90-440° F [Temp Mode]
- Cook/Temp Mode touch pad
- Cook & Temp Mode indicator lights
- Over/Under Voltage protection standard
- Durable matt-finish control panel overlay

Standard Warranty:

- One Year, Parts & Labor

Agency Listings:

- FCC
- ETL
- ETL-Sanitation to NSF-4
- CETL

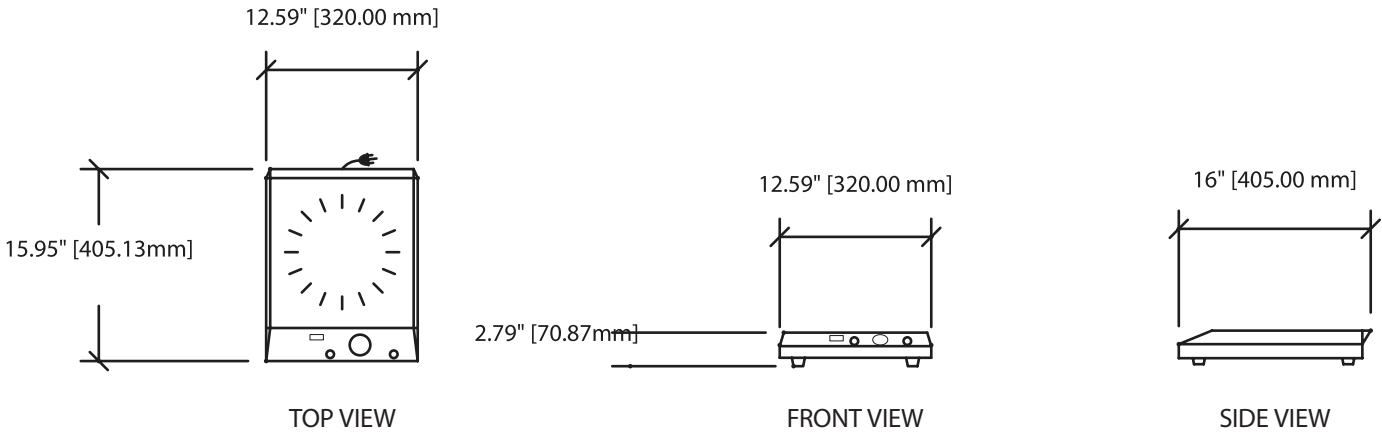
Available Accessories / Alternative Configurations:

- SB Storage & Transport Box
- Induction-ready pans [See Spring USA Catalog]
- AF350 Under-counter Air Filter System [See Spec. SIR-7]
- Hold-Only Countertop Range [See Spec. SIR-2]
- Drop-In Model Induction Range [See Spec. SIR-3]
- Mobile & Custom Configurations [Contact Spring USA]

Mr. Induction™

Countertop, Portable Induction Range:

- Model:** SR-181C (110-Volt/US)
 SR-261C (208/220-Volt/US)
 SR-263C (220/240-Volt/Int.)



[EC] Electric Requirements:

Model	Voltage	Phase	Hertz	Watts	Amps	Plug*	Receptacle
SR-181C	110-120 AC	1	60	1800	15	NEMA 5-15P	NEMA 5-15R
SR-261C	208-220 AC	1	50 or 60	2600	11.8	NEMA 6-20P	NEMA 6-20R
SR-263C	220-240 AC	1	50	2600	11.8	<input type="checkbox"/> EC Schuko (CEE7/7) or <input type="checkbox"/> BS 1363 (YP-60)	

* 6' (1.8 m) power cord with plug provided.

Key Dimensions & Shipping Information:

All Models	Unit Width	Unit Depth	Unit Height	Weight*	Single Unit Shipping Carton*		
					Width	Depth	Height
SR-181C	12.59" (320 mm)	15.95" (405 mm)	2.79" (71 mm)	Unit: 11 lbs (5 kg) *Shipping: 13 lbs (5.9 kg)	20" (508 mm)	15.5" (394 mm)	6" (152 mm)
SR-261C							
SR-263C							

* Two Unit Case Pack: Weight = 28 lbs. (12.7 kg); Length = 20" (508 mm) Width = 16" (407 mm); Height = 12" (305 mm)

Notes & Conditions of Use:

1. This induction range requires use of Ferris metal, induction-ready cookware.
2. For optimum performance, allow 4" (102 mm) rear and side clearance from walls and other heat sources.



Due to continuous product improvement, specifications are subject to change without notice