



Model SR-650C

## Mr. Induction™

### Countertop, Portable (Hold-Only) Induction Warmer:

Model:  SR-650C (110-Volt/US)

#### Order Guide:

✓	Model Number	Voltage	Peak Power	Plug Type
	SR-650C [US]	110-120	650 Watts	NEMA 5-15

#### Short Form Specification:

Unit to be a Spring USA **Mr. Induction™: SR-650C** Model Countertop Portable (Hold-Only) Induction Heating Unit, with low-profile 2.8" high design, polished stainless steel case, 5 mm thick tempered glass hot top and integrated oversize pan support; plus four temperature settings and large LED hold temperature display; plus all the features listed.

#### Construction & Performance Features:

- Low profile design only 2.8" (71 mm) high
- Attractive, easy to clean polished stainless steel housing
- Rugged 5 mm thick tempered glass hot top
- 100% silicon rubber protective top seal
- Rear mounted oversize pan support
- Energy saving 650-volt model for product holding (Only)
- Choice of four hold temperature settings
- Four non-skid rubber feet
- 6' (1.8 m) power cord with plug standard

#### Simple Solid State Controls with:

- Power-ON/OFF touch pad
- Power ON/Pan-Present indicator light
- Four hold temperature touch pads
- Set temperature indicator for: 150, 160, 170 or 180° F
- Over/Under Voltage protection standard
- Durable matt-finish control panel overlay

#### Standard Warranty:

- One Year, Parts & Labor

#### Agency Listings:

- FCC
- ETL
- ETL-Sanitation to NSF-4
- CETL

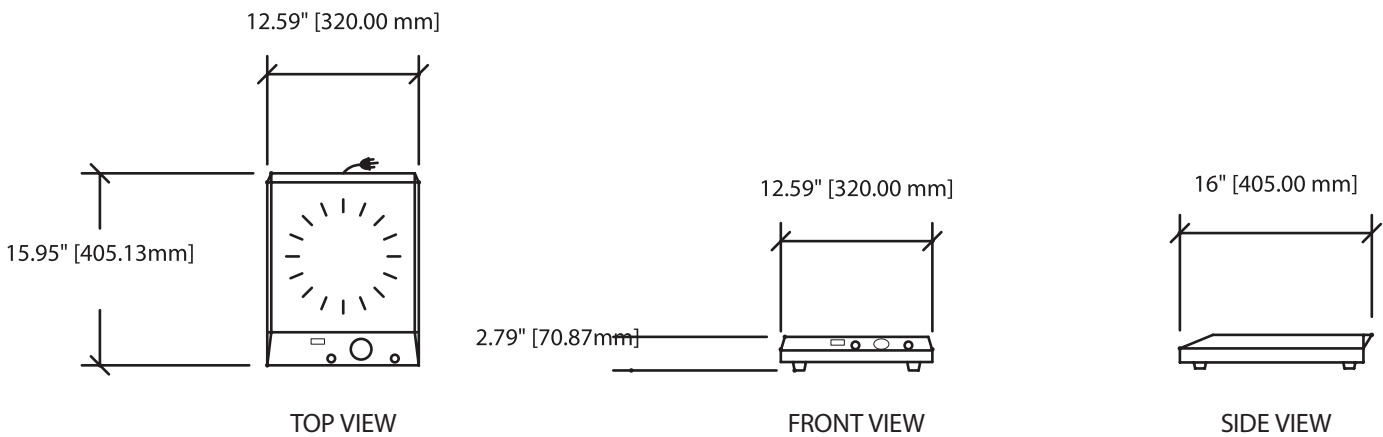
#### Available Accessories / Alternative Configurations:

- SB Storage & Transport Box
- Induction-ready pans [See Spring USA Catalog]
- AF350 Under-counter Air Filter System [See Spec. SIR-7]
- High Power (Cooking) Induction Ranges [See Spec. SIR-1]
- Drop-In Model Induction Range [See Spec. SIR-3]
- Mobile & Custom Configurations [Contact Spring USA]

**Mr. Induction™**

**Model:**  **SR-650C** (110-Volt/US)

## Countertop, Portable (Hold-Only) Induction Warmer:



### [EC] Electric Requirements:

Model	Voltage	Phase	Hertz	Watts	Amps	Plug	Receptacle
SR-650C	110-120 AC	1	60	650	5.4	NEMA 5-15P	NEMA 5-15R

### Key Dimensions & Shipping Information:

Model	Unit Width	Unit Depth	Unit Height	Weight*	Single Unit Shipping Carton*		
					Width	Depth	Height
SR-650C	12.59" (320 mm)	15.95" (405 mm)	2.79" (71 mm)	Unit: 11 lbs (5 kg) *Shipping: 13 lbs (5.9 kg)	20" (508 mm)	15.5" (394 mm)	6" (152 mm)

\* **Two Unit Case Pack:** Weight = 28 lbs. (12.7 kg); Length = 20" (508 mm) Width = 16" (407 mm); Height = 12" (305 mm)

### Notes & Conditions of Use:

1. This induction heating unit requires use of Ferris metal, induction-ready cookware.
2. For optimum performance, allow **4" (102 mm) rear and side clearance** from walls and other heat sources.

### CAD Symbols & Pricing:



*Due to continuous product improvement, specifications are subject to change without notice*